



# SC1602E ( 16 CHARACTERS x 2 LINES )

## ■ FEATURES

- ◆ 5 x 7 DOTS WITH CURSOR
- ◆ BUILT-IN CONTROLLER (KS0066 OR EQUIVALENT)
- ◆ 5 V POWER SUPPLY
- ◆ 1/16 DUTY CYCLE
- ◆ 4.2 V LED FORWARD VOLTAGE

## ■ MECHANICAL DATA

ITEM	DIMENSIONS	UNIT
Module Size ( W x H x T )	122.0 x 44.0 x 8.8 ( 13.0 LED )	mm
Viewing Area ( W x H )	99.0 x 24.0	mm
Character Size ( W x H )	4.84 x 9.63	mm
Character Pitch ( W x H )	6.0 x 10.37	mm
Dot Size ( W x H )	0.92 x 1.16	mm
Dot Pitch ( W x H )	0.98 x 1.21	mm

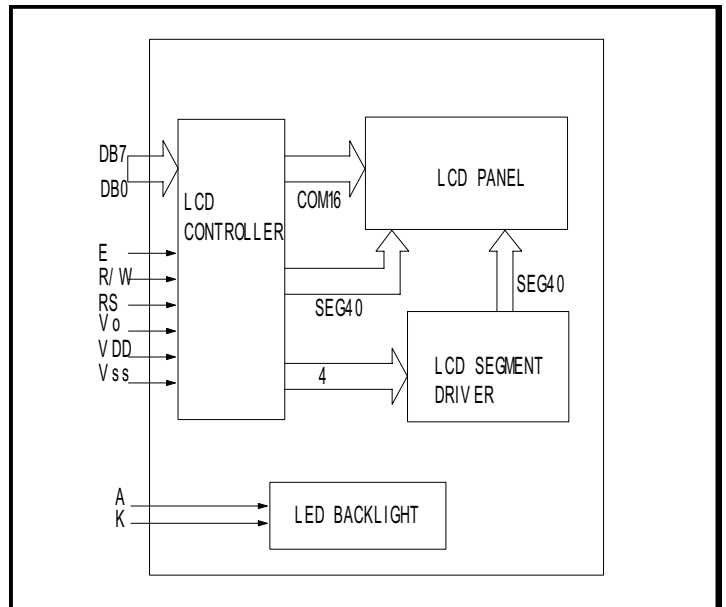
## ■ INTERFACE PIN CONNECTIONS

NO.	SYMBOL	FUNCTION	NO.	SYMBOL	FUNCTION
1	V <sub>SS</sub>	Supply Ground	9	DB2	Data Bit 2
2	V <sub>DD</sub>	Supply Voltage	10	DB3	Data Bit 3
3	V <sub>O</sub>	Contrast Adj.	11	DB4	Data Bit 4
4	RS	Register Select	12	DB5	Data Bit 5
5	R/W	Read/Write	13	DB6	Data Bit 6
6	E	Enable Signal	14	DB7	Data Bit 7
7	DB0	Data Bit 0			
8	DB1	Data Bit 1			

## ■ ELECTRICAL CHARACTERISTICS

ITEM	SYMBOL	CONDITION	MIN.	TYP.	MAX.	UNIT
LCD Operating Voltage	V <sub>DD</sub> -V <sub>O</sub>	T=0 °C	-	4.8	-	V
		T=25 °C	-	4.5	-	V
		T=50 °C	-	4.2	-	V
Supply Voltage	V <sub>DD</sub> -V <sub>SS</sub>	-	4.7	5	5.3	V
Supply Current	I <sub>DD</sub>	-	-	2	4	mA
Input Voltage	"HIGH" Level	V <sub>IH</sub>	-	2.2	-	V <sub>DD</sub> V
	"LOW" Level	V <sub>IL</sub>	-	0	-	0.6 V
Output Voltage	"HIGH" Level	V <sub>OH</sub>	-	2.4	-	V
	"LOW" Level	V <sub>OL</sub>	-	-	-	0.4 V

## ■ BLOCK DIAGRAM



## ■ EXTERNAL DIMENSIONS

