

# LP 385590 Lithium Polymer Battery

## Brief Datasheet

### 1 BASIC SPECIFICATION

|    |                           |  |                          |
|----|---------------------------|--|--------------------------|
| 1  | Battery Type              | LP 385590  |                          |
| 2  | Nominal Capacity          | Typical  | 1900mAh (0.2C discharge) |
|    |                           | Minimum  | 1800mAh (0.2C discharge) |
| 3  | Nominal Voltage           | 3.7V(0.2C discharge)   |                          |
| 4  | Charging Voltage          | 4.2V ± 0.05V   |                          |
| 5  | Standard Charge           | Method: CC/CV (constant current/constant voltage)<br>Current:900mA (0.5C)<br>Voltage:4.2V<br>EndCurrent:36mA (0.02C) |                          |
| 6  | Maximum Charge Current    | 1800mA (1C)  |                          |
| 7  | Standard Discharge        | Method: CC (constant current)<br>Current: 360mA (0.2C)<br>End Voltage:2.75V  |                          |
| 8  | Maximum Discharge Current | 3600mA (2C)  |                          |
| 9  | Weight                    | Approx.38 ± 4.0g   |                          |
| 10 | Operating temperature     | Charge:0°C to 45°C<br>Discharge:-20°C to 60°C  |                          |
| 11 | Storage Temperature       | -20°C to 45°C  |                          |
| 12 | Cycle life                | 500cycles (at 0.5C charge and discharge, 23°C)   |                          |

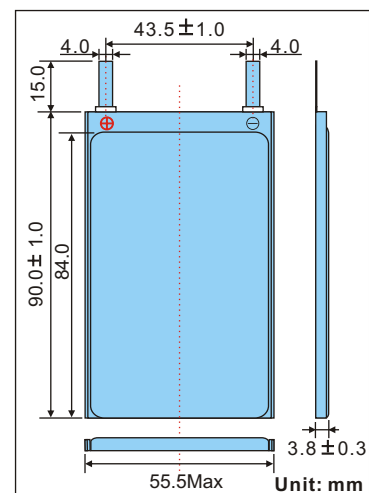
Note: 1C = 1 Capacity

### 2 MAIN FEATURES

- Thin format, light weight, large area, and flexibility in design.
- Easily customized, Energy density, High capacity.

### 3 WARNING

- Do not overcharge, force charge, short circuit, disassemble, deform, heat or place the battery near a direct flame. Any of the above actions could cause it to ignite, explode or become damaged.
- Keep this battery out of the reach of children.
- When storing the battery or throwing it away, be sure to cover with tape.



Note: Any representations in this brochure concerning performance, are for informational purposes only and are not construed as warranties either expressed or implied, of future performance.